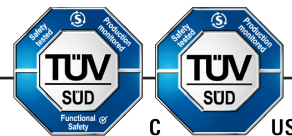


## Operating Instructions: Mechanical Ends



Accessories

### Description

#### *proCap*

- To terminate assemblies without heads, for example solenoid controlled key release configurations.



### Options & Ordering Information

Description	Part No.
<i>proCap</i>	C6

#### *proFoot*

- To terminate non-switch trapped key configurations.
- Secures unit firmly to mounting surface.

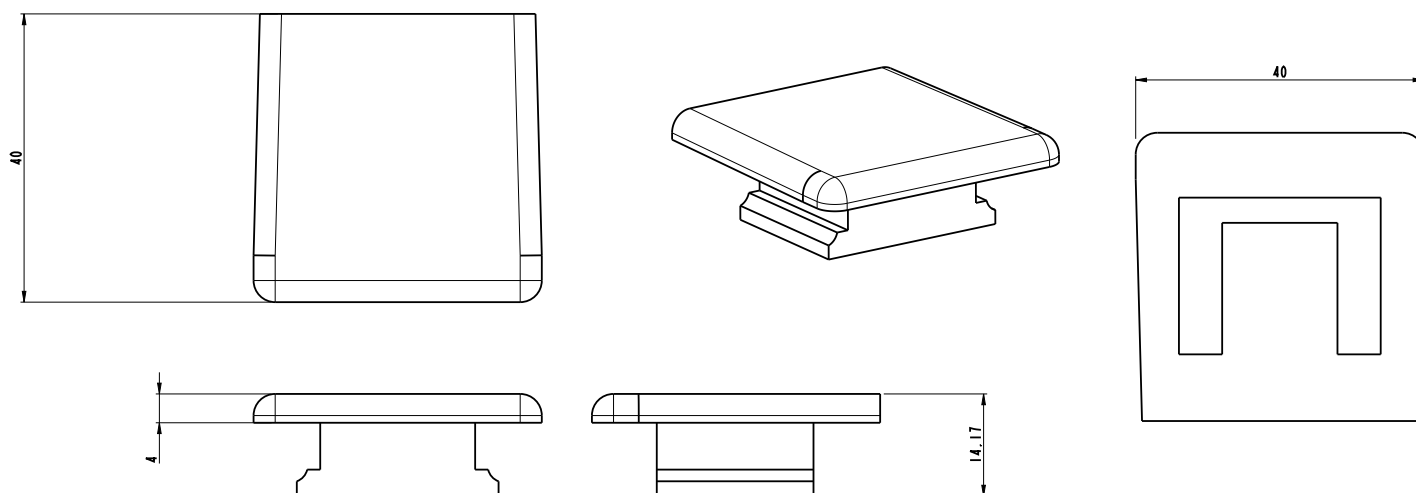


### Options & Ordering Information

Description	Part No.
<i>proFoot</i>	FT0

Technical Specification	<i>proCap</i>	<i>proFoot</i>
Materials	Stainless steel to BS3146	Zinc alloy to BSEN12844
Paint Finish	Stainless steel to BS3146	30% gloss powder black on passivated base material
Environment	Indoor & Outdoor	
Ambient Temperature	-5°C to 80°C (23°F to 176°F)	
Maximum Humidity	80% @ ≤ 31°C ; 50% @ 40°C	

**Figure 1: Dimensional Drawing - *proCap***



# Operating Instructions: Mechanical Ends

Figure 2: Dimensional Drawing - *proFoot*

